



Ø12-38MM WHEEL BEARING PULLER 3 JAW

MODEL NO: MS0621

Thank you for purchasing a Sealey product. Manufactured to a high standard, this product will, if used according to these instructions, and properly maintained, give you years of trouble free performance.

IMPORTANT: PLEASE READ THESE INSTRUCTIONS CAREFULLY. NOTE THE SAFE OPERATIONAL REQUIREMENTS, WARNINGS & CAUTIONS. USE THE PRODUCT CORRECTLY AND WITH CARE FOR THE PURPOSE FOR WHICH IT IS INTENDED. FAILURE TO DO SO MAY CAUSE DAMAGE AND/OR PERSONAL INJURY AND WILL INVALIDATE THE WARRANTY. KEEP THESE INSTRUCTIONS SAFE FOR FUTURE USE.



Refer to instructions



Wear eye protection



Wear protective gloves

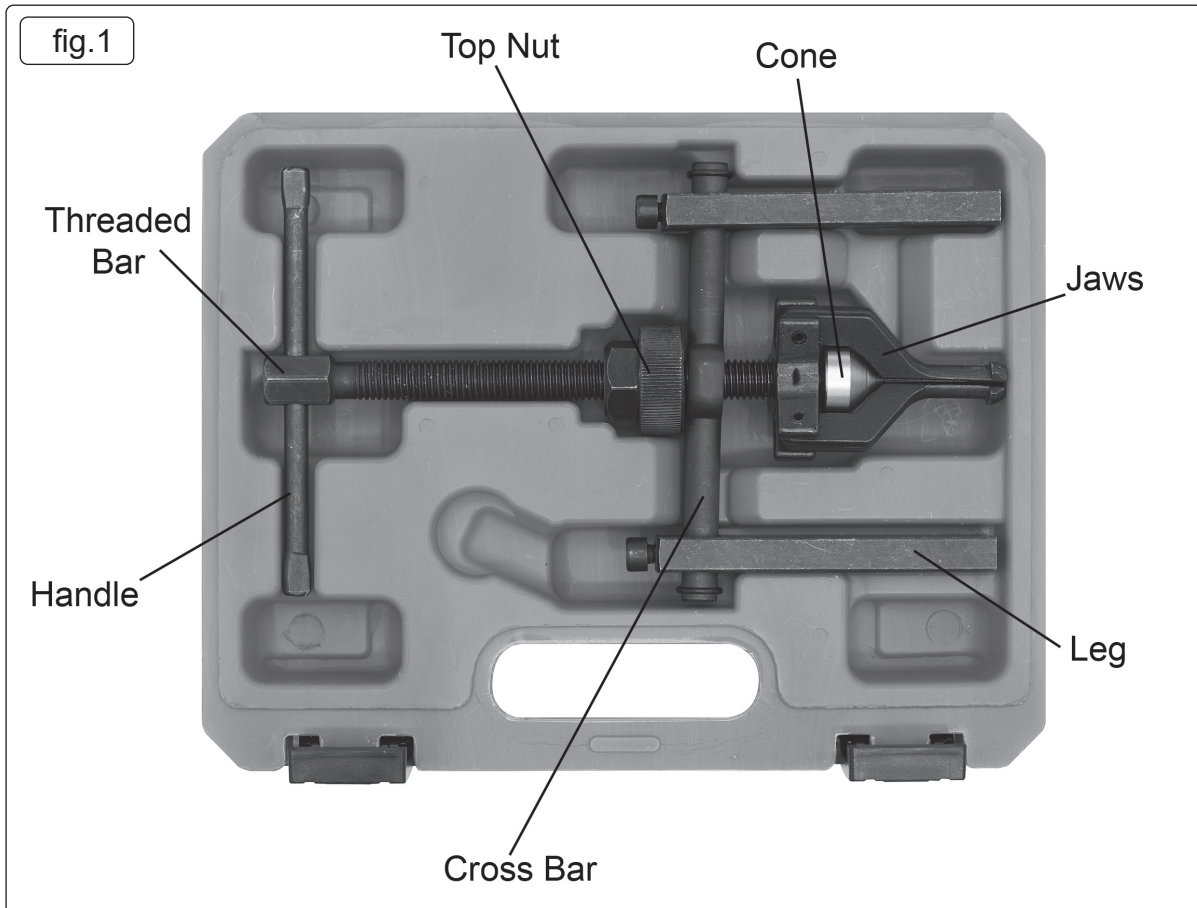
1. SAFETY

- WARNING!** Ensure Health & Safety, local authority, and general workshop practice regulations are adhered to when using this tool.
- WARNING!** Familiarise yourself with the specific applications and limitations of the kit, as well as any potential hazards.
- This kit should be used in conjunction with inspection maintenance procedures recommended in the vehicle manufacturer's manual.
- Ensure that the kit is correct for the task.
- Wear the appropriate personal protective equipment for the task. A full range is available from your Sealey stockist.
- DO NOT** use the kit for any purpose other than that for which it is designed.
- Ensure that the vehicle is properly supported with axle stands before working under the vehicle.
- Ensure there is adequate lighting prior to using the kit. A range of inspection lamps are available from your Sealey stockist.
- Keep children and unauthorised persons away from the working area.
- DO NOT** use the kit if any parts are damaged or missing, as this may cause failure and/or personal injury.
- DO NOT** use the kit when you are tired, or under the influence of alcohol, drugs or intoxicating medication.
- After use, store in a safe, dry childproof area.

2. INTRODUCTION

3-Jaw design applies even pressure preventing damage to bearings. Designed to remove bearings with Ø12-38mm internal diameter. Forged and heat treated steel jaws for greater strength. Corrosion resistant black oxide finish.

3. CONTENTS



4. OPERATION FIG.1

NOTE: Make sure threads are clean before using bearing puller for the first time.

- 4.1. Unscrew the jaws enough on the threaded bar, that the cone is not pressing on the jaws.
- 4.2. Insert the jaws into the middle of the bearing.
- 4.3. Hold the jaws and screw the threaded bar down so that the cone presses on the jaws.
- 4.4. Hold the nut on top of the crossbar with a spanner and wind the puller unit up.

5. MAINTENANCE

- 5.1. Keep all items clean and lightly oiled. Keep all threads free from grit and lubricate the thread regularly.



ENVIRONMENT PROTECTION

Recycle unwanted materials instead of disposing of them as waste. All tools, accessories and packaging should be sorted, taken to a recycling centre and disposed of in a manner which is compatible with the environment. When the product becomes completely unserviceable and requires disposal, drain any fluids (if applicable) into approved containers and dispose of the product and fluids according to local regulations.

Note: It is our policy to continually improve products and as such we reserve the right to alter data, specifications and component parts without prior notice.

Important: No Liability is accepted for incorrect use of this product.

Warranty: Guarantee is 12 months from purchase date, proof of which is required for any claim.

Sealey Group, Kempson Way, Suffolk Business Park, Bury St Edmunds, Suffolk. IP32 7AR



01284 757500



01284 703534



sales@sealey.co.uk



www.sealey.co.uk